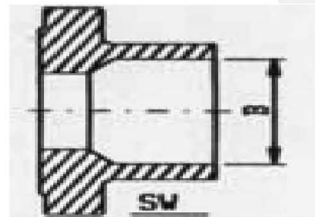
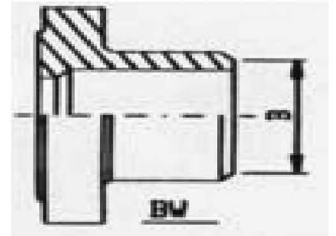
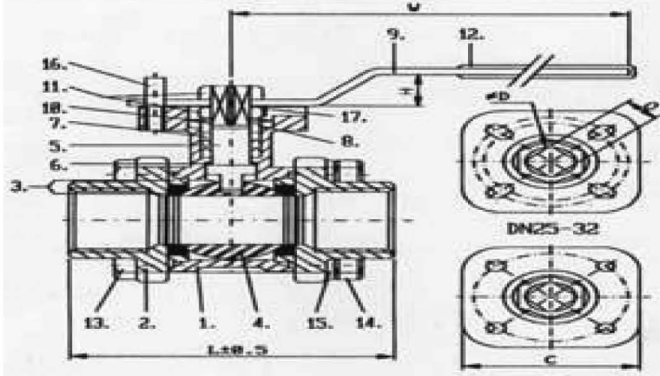




**AK-8438
3-PC BALL VALVE WITH ELECTRIC/
PNEUMATIC ACTUATOR**

WITH DIRECT ASSEMBLY ISO 5211 TOP
FLANGE
MATERIAL : S.S. 316 & C.S. WCB.
SCREWED ENDS, BUTT-WELD & SOCKET
WELD ENDS
FULL PORT, 1000 PSI WOG,
S IZE : 1/4" THRU 4"



ITEM	PART NAME	MATERIAL		Q'TY
		316	WCB	
1	BODY	CF8M	WCB	1
2	END CAPS	CF8M	WCB	2
3	SEATS	PTFE	PTFE	2
4	BALL	SUS316	SUS304	1
5	STEM	SUS316	SUS304	1
6	GASKET	PTFE & 50% SUS		1
7	SEAT	PTFE	PTFE	1
8	PACKING GLAND	SUS304	SUS304	1
9	HANDLE	SUS304	SUS304	1
10	DISC SPRINGS	SUS304	SUS304	2
11	LEVER NUT	SUS304	SUS304	1
12	PLASTIC COVER	PVC	PVC	1
13	BOLTS	SUS304	SUS304	4
14	BOLTS NUTS	SUS304	SUS304	4
15	SPRING WASHERS	SUS304	SUS304	4
16	STOPPER	SUS304	SUS304	1
17	LOCK WASHER	SUS 304	SUS 304	1

: DIMENSIONS :

ITEM SIZE	A	L	H	W	ISO-5211	B		C	O	D
1/4"	10	55	20	100	F03	13	14	36	9	5
3/8"	12.5	55	20	100	F03	13	18	36	9	5
1/2"	15	65	20	100	F03/F04	17	22	44	9	5
3/4"	20	75	20	103	F03/F04	22	27.5	44	9	5
1"	25	85	24	158	F04/F05	28	34.5	50	11	8
1-1/4"	32	100	24	158	F04/F05	37	43	50	11	8
1-1/2"	38	110	30	183	F05/F07	43	49	70	14	9
2"	50	130	30	183	F05/F07	54	61.5	70	14	9
2-1/2"	65	160	40	243	F07/F10	72	77	98	17	12
3"	80	185	40	243	F07/F10	84	90	98	17	12
4"	100	220	50	328	F10/F12	109	115.5	105	22	14