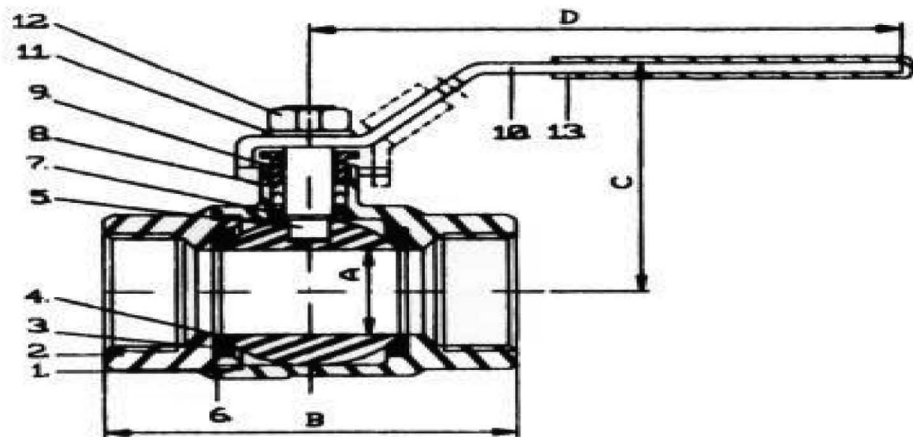




AK-8426
2-PC TYPE BALL VALVES
 FULL PORT, 1000 PSI WOG,
 SCREWED ENDS, BUTT-WELD ENDS
 AND SOCKET-WELD ENDS.
 SIZE: 1/4" THRU 4"



ITEM	PART NAME	MATERIAL		Q'TY
1	BODY	CF8M	WCB	1
2	END CAPS	CF8M	WCB	2
3	SEATS	PTFE	PTFE	2
4	BALL	SUS316	SUS304	1
5	STEM	SUS316	SUS304	1
6	JOINT GASKET	PTFE	PTFE	1
7	GASKET	PTFE	PTFE	1
8	SEAL	SUS304	SUS304	1
9	PACKING GLAND	SUS304	SUS304	1
10	HANDLE	SUS304	SUS304	1
11	LEVER SPRING WASHER	SUS304	SUS304	1
12	LEVER NUT	SUS304	SUS304	1
13	PASTIC COATING	PVC	PVC	4

SIZE		A	B	C	D
mm	INCH	mm	mm	mm	mm
8	1/4"	10	50	50	100
10	3/8"	12.5	50	50	100
15	1/2"	15	60	53	100
20	3/4"	20	70	58	103
25	1"	25	80	70	158
32	1-1/4"	32	95	76	158
40	1-1/2"	38	105	88	183
50	2"	50	120	95	183
65	2-1/2"	65	160	135	243
80	3"	80	178	145	243
100	4"	100	230	165	328