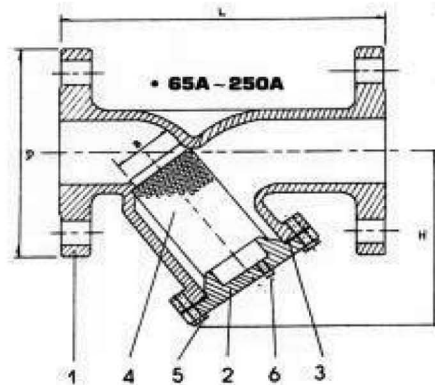
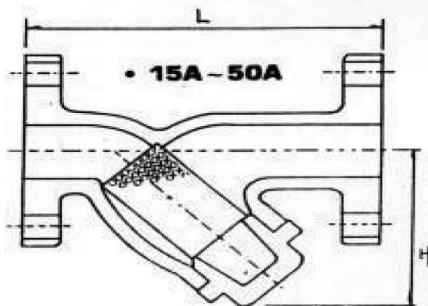
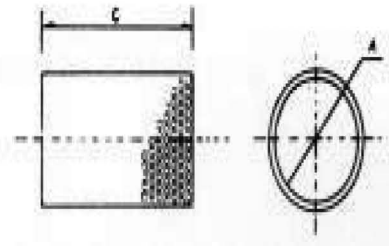


AK-811
Y-TYPE STRAINERS, FLANGED ENDS
 FLANGED JIS 10K, DIN PN-16 AND ANSI 150LB.
 MATERIAL: C.I. FC-20, C.S. WCB AND S.S. 304/316
 SAND CASTING, SIZE: 1/2" THRU 12"

WORKING PRESSURE: 5 TO 230 PSI
MAX WORKING TEMPERATURE : 220C.
TEST PRESSURE : BODY 350 PSI (WATER)



: SCREEN SPECIFICATION :

NOMINAL SIZE	PERFORATION	PITCH OF HOLES	SCREEN THICKNESS
1/2" TO 2"	1.0	2.0	0.4
2 1/2" TO 6"	2.0	3.5	0.5
8" AND 10"	3.0	4.5	0.6

: SCREEN :

STRAINER SIZES	DRAIN PLUG THREAD SPECIFICATION
1/2" TO 1"	NIL
1 1/4" TO 4"	3/8" BSPT
5"	1/2" BSPT

: MATERIAL LIST :

NO	PARTS NAME	CAST IRON	CAST STEEL	SUS 304	SUS 316
1	BODY	A126-CL.B	A216-WCB	A351-CF8	A351-CF8M
2	COVER	A126-CL.B	A216-WCB	A351-CF8	A351-CF8M
3	GASKET	ASBESTOS	ASBESTOS	ASBESTOS	ASBESTOS
4	SCREEN	AISI 304	AISI 304	AISI 304	AISI 304
5	DRAIN PLUG	PC-20	STEEL	AISI 304	AISI 316

: DIMENSION LIST :

JIS-10K

SIZE	INCH	1/2"	3/4"	1"	1-1/4"	1-1/2"	2"	2-1/2"	3"	4"	5"	6"	8"	10"	12"	14"
	MM	15	20	25	32	40	50	65	80	100	125	150	200	250	300	350
D		95	100	125	135	140	155	175	185	210	250	280	330	400	445	—
L		125	140	155	190	190	220	270	290	350	392	440	540	640	—	—
H		65	75	85	120	120	140	170	190	240	250	340	450	530	—	—

: DIMENSION LIST :

DIN-PN16

SIZE	INCH	1/2"	3/4"	1"	1-1/4"	1-1/2"	2"	2-1/2"	3"	4"	5"	6"	8"	10"
	MM	15	20	25	32	40	50	65	80	100	125	150	200	250
L		130	150	160	180	200	230	290	310	350	400	480	600	730
H		80	90	95	115	135	160	180	200	230	290	310	450	500
D		95	105	115	140	150	165	185	200	220	250	285	340	405
A		22	28	32	37	47	50	70	85	107	134	160	215	261
B		15	21	25	32	40	51	65	80	100	126	150	200	250
C		43	53	65	70	84	107	126	141	160	200	220	332	423