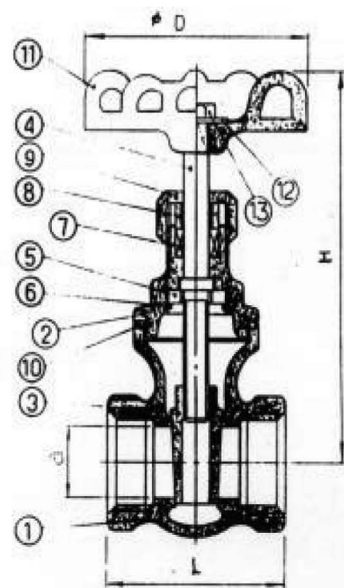


: MATERIALS LIST :		
NO.	PARTS NAME	MATERIAL
1	BODY	CF8M
2	BONNET	CF8M
3	DISC	CF8M
4	STEM	316
5	STEM WASHER	316
6	SNAP WASHER	316
7	PACKING	TEFLON
8	GLAND	316
9	PACKING NUT	CF8M
10	PACKING	TEFLON
11	HANDWHEEL	CAST IRON
12	PLATE	
13	WHEEL NUT	316

: DIMENSIONS :				
SIZE	A	L	H	D
1/2"	15	56	93	60
3/4"	20	58	103	70
1"	25	65	112	70
1-1/4"	32	74	125	80
1-1/2"	40	78	145	90
2"	50	87	170	100

AK-8281
GATE VALVES, SCREWED ENDS
 MATERIAL: S.S.316 INVESTMENT
 SIZE: 1/2" THRU 2"



: MATERIALS LIST :		
NO.	PARTS NAME	MATERIAL
1	BODY	CF8M
2	BONNET	CF8M
3	DISC	CF8M
4	STEM	316
5	RETAINER RING	316
6	PACKING	TEFON
7	GLAND	316
8	PACKING NUT	CF8M
9	PACKING	TEFLON
10	HAND WHEEL	CAST IRON
11	PLATE	
12	WHEEL NUT	316

: DIMENSIONS :				
SIZE	A	L	H OPEN	D
1/4"	10	52	102	60
3/8"	12	52	102	60
1/2"	15	52	102	60
3/4"	20	60	113	70
1"	25	72	123	70
1-1/4"	32	80	148	80
1-1/2"	40	90	160	90
2"	50	106	180	100

AK-8292
GLOBE VALVES, SCREWED ENDS
 MATERIAL: S.S.316, INVESTMENT CASTING
 SIZE: 1/4" THRU 2"

