



AK-8215

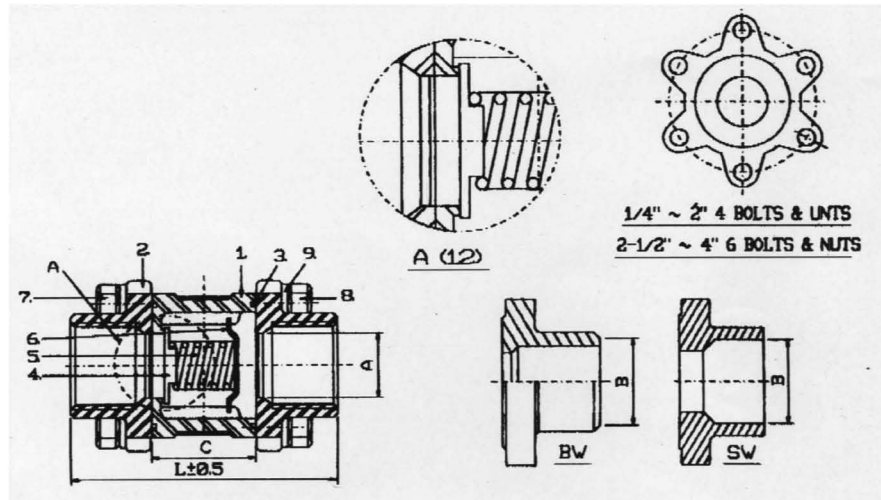
3-PC TYPE CHECK VALVES

MATERIAL S.S. 316 & C.S. WCB

SCREWED ENDS, BUTT-WELD & SOCKET WELD ENDS

FULL PORT, 1000 PSI WOG

SIZE 1/4" THRU 4"



ITEM SIZE	A	B		L	C
		BW	SW		
inch	mm			mm	mm
1/4"	10	13	14	55	18.6
3/8"	12.5	13	18	55	18.6
1/2"	15	17	22	65	22.9
3/4"	20	22	27.5	75	27.7
1"	25	28	34.5	85	33.5
1-1/4"	32	37	43	100	41.3
1-1/2"	38	43	49	110	49.4
2"	50	54	61.5	130	63.7
2-1/2"	65	72	77	160	80.2
3"	80	84	90	185	100.2
4"	100	109	115.5	220	124.2

ITEM	PART NAME	MATERIAL		Q'TY
		316	WCB	
1	BODY	CF8M	WCB	1
2	END CAPS	CF8M	WCB	2
3	JOINT GASKET	PTFE	PTFE	2
4	DISC	SUS316	SUS316	1
5	SPRING	SUS316	SUS316	1
6	CAP	SUS316	SUS316	1
7	BOLTS	SUS304	SUS304	4
8	BOLTS NUTS	SUS304	SUS304	4
9	SPRING WASHERS	SUS304	SUS304	4