

# MODEL A1

In Line

Female / Female

Needle Valve

PN. 413 bar / 6000 psi

Valve Colour Coding

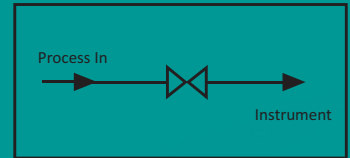
**ISOLATE**

**VENT**

**EQUALIZE**

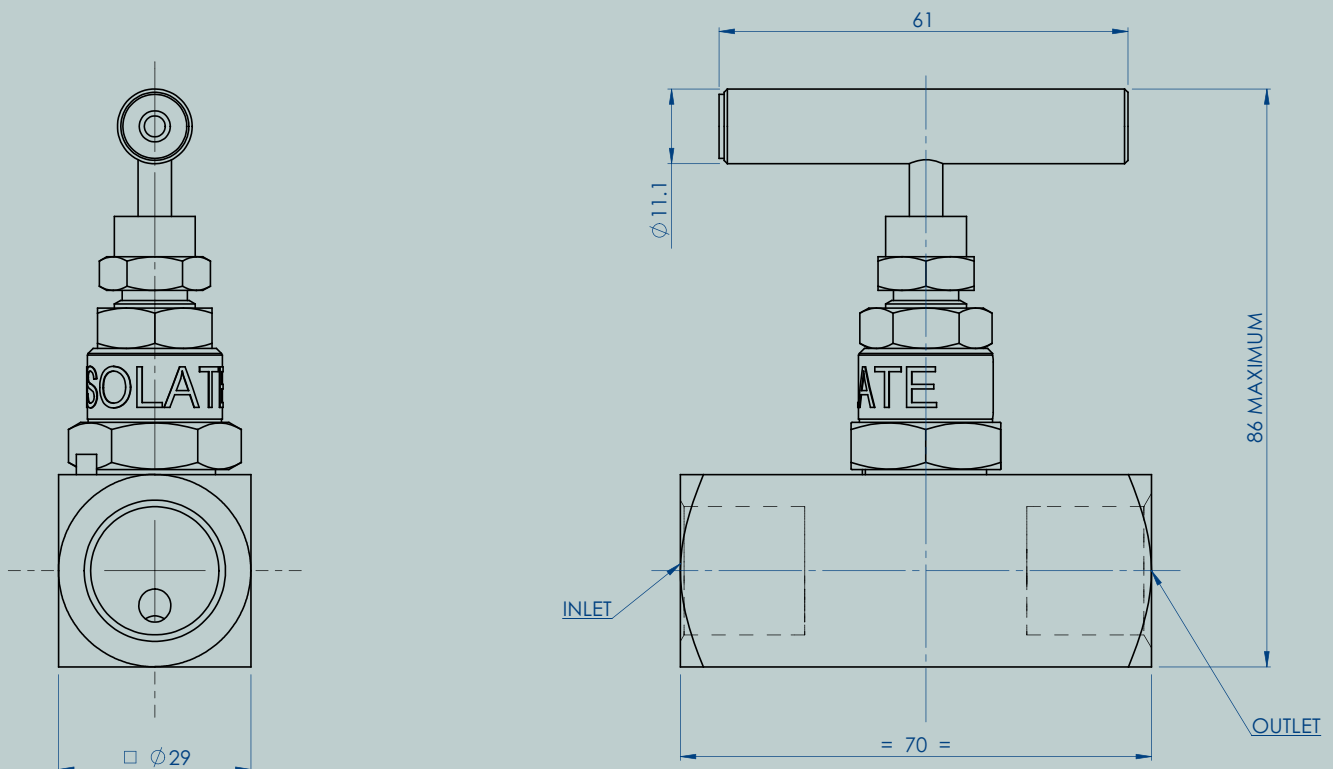
Weight = 0,5 kg

## Needle Valves & Manifolds Stainless Steel



Also available rated 700 bar / 10000 psi and in a range of other materials and options (See [HOW TO ORDER](#) Data Sheet).

Note: Valve shown with 1/2 NPT Instrument & Process Connections



Dimensions for 6K shown in millimetres are for reference only and are subject to change

Precision Engineered Valves & Manifolds