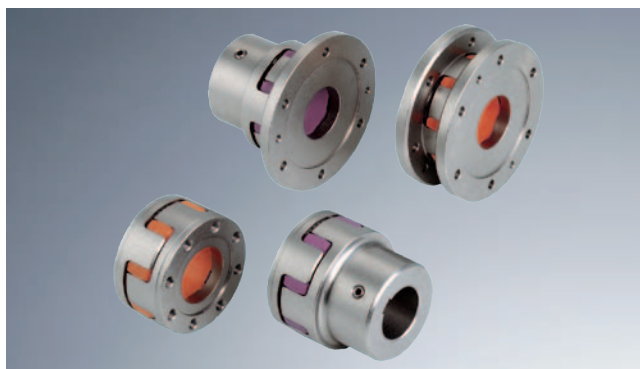
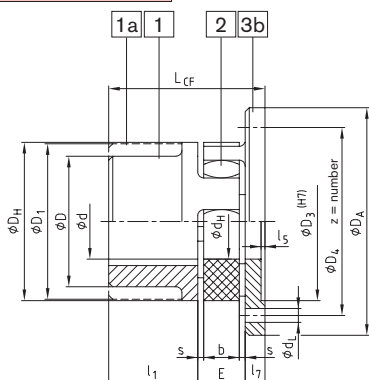


Flange programme designs CF, CFN, DF and DFN

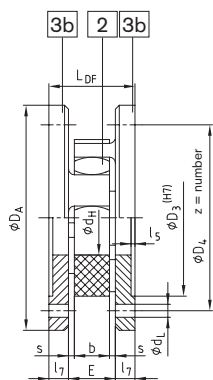


- Flange designs applicable to heavy machinery
- CF and CFN - connection flange to shaft
- DF and DFN - double flange design for the connection of driving and driven machine, radial assembly possible without removal of other components → quick replacement of spider
- CFN and DFN - particularly small outside diameters
- DF and DFN – particularly short mounting length
- DFN - for customer-specific mounting flanges
- Flange material part 3b: GJS
- Finish bore according to ISO fit H7, feather keyway according to DIN 6885 sheet 1 - JS9
- Approved according to EC standard 94/9/EC

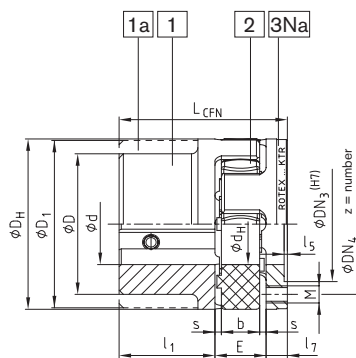
Components



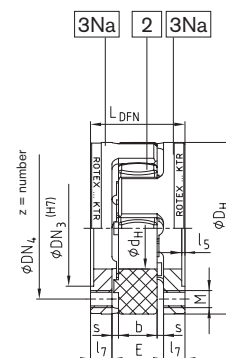
Type CF



Type DF



Type CFN



Type DFN

ROTEX® CF, CFN (No. 005) and DF, DFN (No. 006)

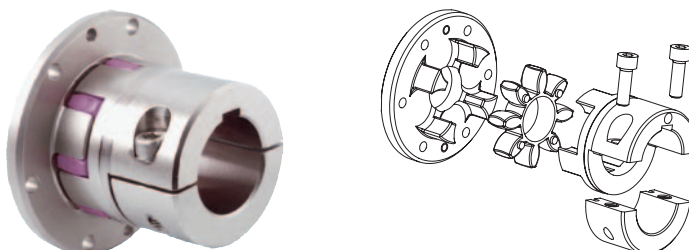
| Size | d, ϕD_1 , ϕD_1 | General dimension | | | | | | | | Dimensions CF and DF | | | | | | | | Dimensions CFN and DFN | | | | | | | |
|------|----------------------------|-------------------|----------------|----------------|------|----|-----|----------------|----------------|----------------------|----------------|----------------|------|----------------|-----------------|-----------------|-----------------|------------------------|----|----------|-------|------------------|------------------|--|--|
| | | D _H | d _H | l ₁ | E | s | b | l ₅ | l ₇ | D _A | D ₃ | D ₄ | z | d _L | L _{CF} | L _{DF} | D _{N3} | D _{N4} | M | z | Pitch | L _{CFN} | L _{DFN} | | |
| 24 | 55 | 27 | 30 | 18 | 2,0 | 14 | 1,5 | 8 | 80 | 55 | 65 | 5 | 4,5 | 56 | 34 | 36 | 45 | M5 | 8 | | 56 | 34 | | | |
| 28 | 65 | 30 | 35 | 20 | 2,5 | 15 | 1,5 | 10 | 100 | 65 | 80 | 6 | 6,6 | 65 | 40 | 44 | 54 | M6 | 8 | 8x45° | 65 | 40 | | | |
| 38 | 80 | 38 | 45 | 24 | 3,0 | 18 | 1,5 | 10 | 115 | 80 | 95 | 6 | 6,6 | 79 | 44 | 54 | 66 | M8 | 8 | | 79 | 44 | | | |
| 42 | 95 | 46 | 50 | 26 | 3,0 | 20 | 2,0 | 12 | 140 | 95 | 115 | 6 | 9,0 | 88 | 50 | 65 | 80 | M8 | 12 | 16x22,5° | 88 | 50 | | | |
| 48 | 105 | 51 | 56 | 28 | 3,5 | 21 | 2,0 | 12 | 150 | 105 | 125 | 8 | 9,0 | 96 | 52 | 75 | 90 | M8 | 12 | | 96 | 52 | | | |
| 55 | 120 | 60 | 65 | 30 | 4,0 | 22 | 2,0 | 16 | 175 | 120 | 145 | 8 | 11,0 | 111 | 62 | 84 | 102 | M10 | 8 | 8x45° | 111 | 62 | | | |
| 65 | 135 | 68 | 75 | 35 | 4,5 | 26 | 2,0 | 16 | 190 | 135 | 160 | 10 | 11,0 | 126 | 67 | 96 | 116 | M10 | 12 | 16x22,5° | 126 | 67 | | | |
| 75 | 160 | 80 | 85 | 40 | 5,0 | 30 | 2,5 | 19 | 215 | 160 | 185 | 10 | 13,5 | 144 | 78 | 112 | 136 | M12 | 15 | | 144 | 78 | | | |
| 90 | 200 | 100 | 100 | 45 | 5,5 | 34 | 3,0 | 20 | 260 | 200 | 225 | 12 | 13,5 | 165 | 85 | 145 | 172 | M16 | 15 | | 165 | 85 | | | |
| 100 | 225 | 113 | 110 | 50 | 6,0 | 38 | 4,0 | 25 | 285 | 225 | 250 | 12 | 13,5 | 185 | 100 | 165 | 195 | M16 | 15 | | 185 | 100 | | | |
| 110 | 255 | 127 | 120 | 55 | 6,5 | 42 | 4,0 | 26 | 330 | 255 | 290 | 12 | 18,0 | 201 | 107 | 180 | 218 | M20 | 15 | 20x18° | 201 | 107 | | | |
| 125 | 290 | 147 | 140 | 60 | 7,0 | 46 | 5,0 | 30 | 370 | 290 | 325 | 16 | 18,0 | 230 | 120 | 215 | 252 | M20 | 15 | | 230 | 120 | | | |
| 140 | 320 | 165 | 155 | 65 | 7,5 | 50 | 5,0 | 34 | 410 | 320 | 360 | 16 | 22,0 | 254 | 133 | 245 | 282 | M20 | 15 | | 254 | 133 | | | |
| 160 | 370 | 190 | 175 | 75 | 9,0 | 57 | 5,0 | 38 | 460 | 370 | 410 | 16 | 22,0 | 288 | 151 | 280 | 325 | M24 | 15 | | 288 | 151 | | | |
| 180 | 420 | 220 | 195 | 85 | 10,5 | 64 | 5,5 | 40 | 520 | 420 | 465 | 16 | 26,0 | 320 | 165 | 330 | 375 | M24 | 18 | 24x15° | 320 | 165 | | | |

Other flange dimensions see page 35

Further types: ROTEX® CF-H

Flange drop-out center design coupling

Please order our separate dimension sheet (M412069)



Ordering example:

| | | | | | |
|---------------|------|-----------------|--------------------|----------|-------------|
| ROTEX® 38 | CF | 92 Sh-A | 1 | GJL | Ø20 |
| Coupling size | Type | Spider hardness | Hub side Component | Material | Finish bore |