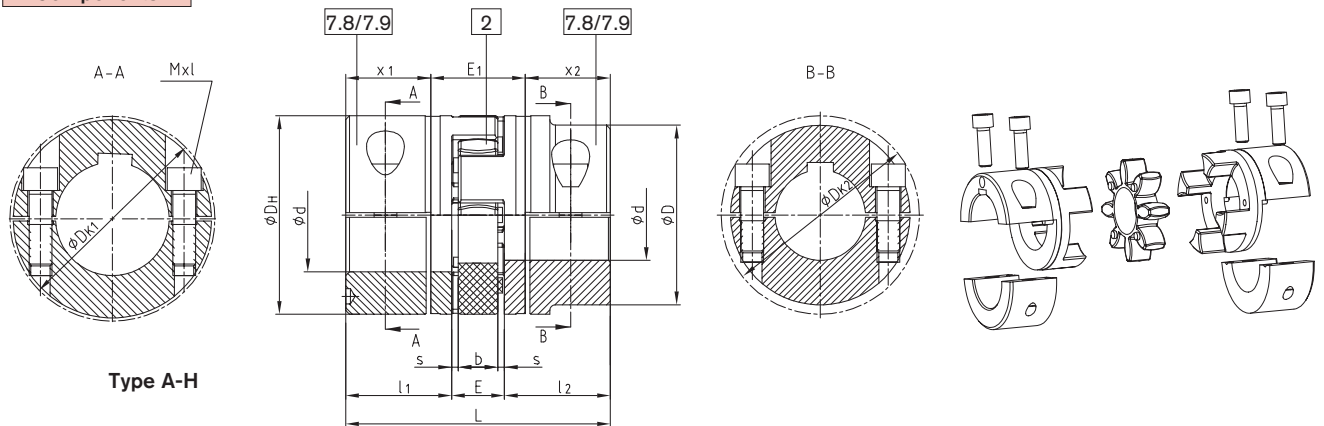


Drop-out center design coupling type A-H



- Assembly/disassembly by means of 4 screws only
- Replacement of spider with no need to shift the driving and driven side (motor and pump)
- Positive-locking and frictionally engaged hub combinations to be assembled radially (dimension E1 of type AFN = dimension E1 of type A-H)
- Finish bore according to ISO tolerance H7, feather key according to DIN 6885 sheet 1 - JS9
- Please order our separate dimension sheet (M425460)
- Approved according to EC standard 94/9/EC (type 7.8 shell clamping hub without feather key according to category 3)

Components



Type A-H

ROTEX® Type A-H															
Size	Max. finish bore Ød [mm]	Dimension [mm]											Cyl. screw DIN EN ISO 4762		
		L	l ₁ ; l ₂	E	b	s	DH	D	DK1	DK2	x ₁ /x ₂	E ₁	Mxl	Tightening torque T _A [Nm]	
19	20	66	25	16	12	2,0	40	—	46	—	17,5	31	M6x16	14	
24	28	78	30	18	14	2,0	55	—	57,5	—	22,5	33	M6x20	14	
28	38	90	35	20	15	2,5	65	—	73	—	25,5	39	M8x25	35	
38	45	114	45	24	18	3,0	80	—	83,5	—	35,5	43	M8x30	35	
42	50	126	50	26	20	3,0	95	85	—	93,5	39	48	M10x30	69	
	—							97	—	M10x35					
48	55	140	56	28	21	3,5	105	95	—	105	45	50	M12x35	120	
	—							108,5	—	M12x40					
55	65	160	65	30	22	4,0	120	110	—	119,5	50	60	M12x40	120	
	—							122	—	M12x45					
65	70	185	75	35	26	4,5	135	115	—	123,5	60	65	M12x40	120	
	—							132,5	—	M12x45					
75	80	210	85	40	30	5,0	160	135	—	147,5	67,5	75	M16x50	295	
	—							158	—	M16x50					
90	90	245	100	45	34	5,5	200	160	—	176	81,5	82	M20x60	580	
	—							197	—	M20x60					
100 ¹⁾	110	270	110	50	38	6,0	225	180	—	185,5	84	102	M16x50	295	
110 ¹⁾	120	295	120	55	42	6,5	255	200	—	208	90	115	M20x60	580	
125 ¹⁾	140	340	140	60	46	7,0	290	230	—	242,5	105	130	M24x70	1000	

Please note:
With maximum bore the feather keys are offset to each other by approx. 5°
Hub materials: up to size 90 steel
from size 100 GJS

7.8= Shell clamping hub without feather key
7.9= Shell clamping hub with feather key

¹⁾ From size 100: 4 clamping screws for each clamping hub.

Ordering example:	ROTEX® 38	A-H	98 Sh-A	7.8	Ø 38	7.8	Ø30
	Coupling size	Type	Spider hardness	Hub design	Finish bore	Hub design	Finish bore