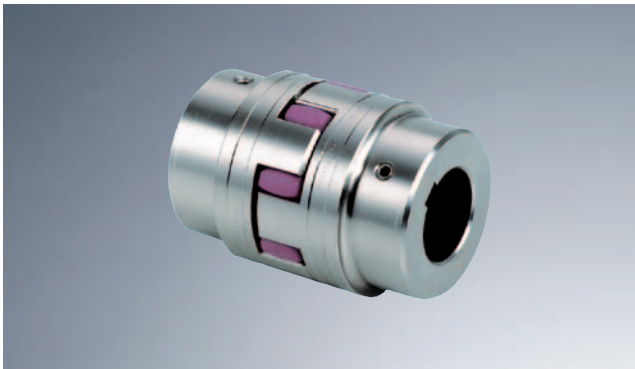
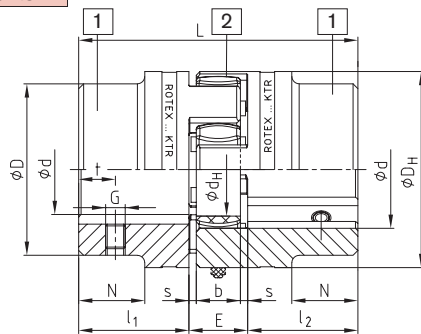


Shaft coupling design No. 001 - material steel -

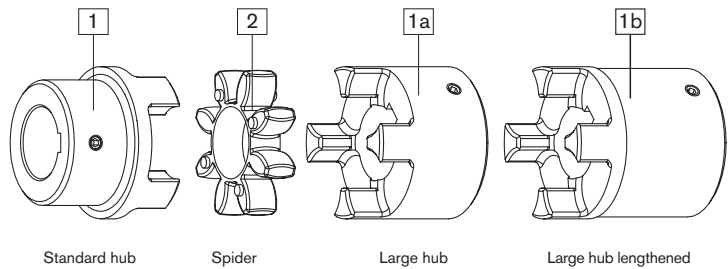


- Hubs from steel, specifically suitable for drive elements subject to high loads, e. g. steel mills, elevator drives, spline hubs, etc.)
- Torsionally flexible, maintenance-free, vibration-damping
- Axial plug-in, fail-safe
- Machined allover - good dynamic properties
- Compact design/low flywheel effect
- Finish bore acc. to ISO fit H7, feather keyway acc. to DIN 6885 sheet 1 - JS9.
- Stock programme/basic programme see pages 28 and 29
- Approved according to EC Standard 94/9/EC
- Mounting instructions at www.ktr.com

Components



Steel (thread on the keyway)



ROTEX® Steel (St)																	
Size	Component	Spider (part 2) <sup>1)</sup> Rated torque [Nm]			Finish bore d (min-max)	Dimensions [mm]											
						General											Thread for setscrew
		92 Sh-A	98 Sh-A	64 Sh-D		L	l <sub>1</sub> ; l <sub>2</sub>	E	b	s	D <sub>H</sub>	d <sub>H</sub>	D	N	G	t	T <sub>A</sub> [Nm]
14	1a	7,5	12,5	16	0-16	35	11	13	10	1,5	30	10	30	-	M4	5	1,5
	50					18,5											
19	1a	10	17	21	0-25	66	25	16	12	2	40	18	40	-	M5	10	2
	90					37											
24	1a	35	60	75	0-35	78	30	18	14	2	55	27	55	-	M5	10	2
	118					50											
28	1a	95	160	200	0-40	90	35	20	15	2,5	65	30	65	-	M8	15	10
	140					60											
38	1	190	325	405	0-48	114	45	24	18	3	80	38	70	27	M8	15	10
	164					70	80						-				
42	1	265	450	560	0-55	126	50	26	20	3	95	46	85	28	M8	20	10
	176					75	95						-				
48	1	310	525	655	0-62	140	56	28	21	3,5	105	51	95	32	M8	20	10
	188					80	105						-				
55	1	410	685	825	0-74	160	65	30	22	4	120	60	110	37	M10	20	17
	210					90	120						-				
65	1	625	940	1175	0-80	185	75	35	26	4,5	135	68	115	47	M10	20	17
	235					100	135						-				
75	1	1280	1920	2400	0-95	210	85	40	30	5	160	80	135	53	M10	25	17
	260					110	160						-				
90	1	2400	3600	4500	0-110	245	100	45	34	5,5	200	100	160	62	M12	30	40
	295					125	200						-				

ROTEX® Sintered steel																	
Size	Component	Spider (part 2) <sup>1)</sup> Rated torque [Nm]		Finish bore d	Dimensions [mm]												
					General											Thread for setscrew	
		92 Sh-A	98 Sh-A		L	l <sub>1</sub> ; l <sub>2</sub>	E	b	s	D <sub>H</sub>	d <sub>H</sub>	D	N	G	t	T <sub>A</sub> [Nm]	
14	1a	7,5	12,5	unbored 8, 10, 11, 12, 14, 15, 16	35	11	13	10	1,5	30	10	30	-	M4	5	1,5	
19	1a	10	17	14, 16, 19, 20, 22, 24	66	25	16	12	2	40	18	40	-	M5	10	2	

■ = If no material is mentioned in the order, the material is stipulated with the calculation/order.  
1) Maximum torque of the coupling TKmax. = rated torque of the coupling TK Nenn. x 2. Selection see page 20/21

ROTEX® 19 – 48 from stainless steel available from stock

- ROTEX® 19, 28 and 42 – hub material X10CrNiS 18-9 material number 1.4305 (V2A) DIN 17440
- ROTEX® 24, 38 and 48 – hub material X6CrNiMoTi17-12-2 material number 1.4571 (V4A) DIN 17440

Ordering example:	ROTEX® 38	St	92 Sh-A	1 – Ø 45	1 – Ø 25	
	Coupling size	Material	Spider hardness	Component	Finish bore	Component