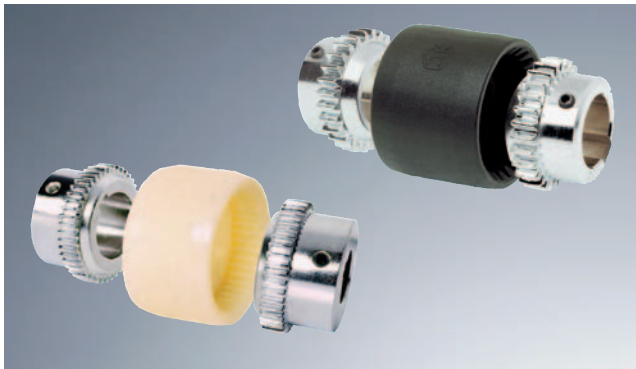
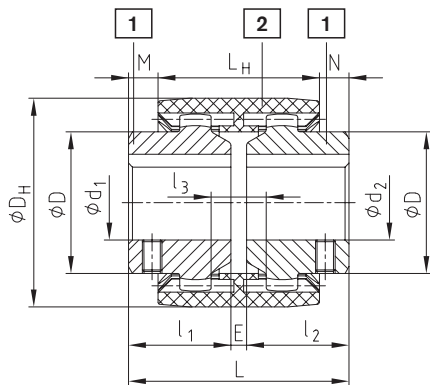


Type M, type I and type M...C

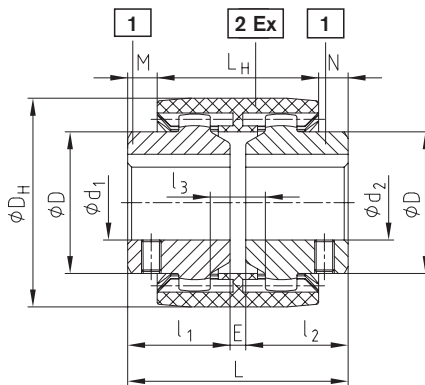


- For all applications in the range of general engineering and hydraulics
- Maintenance-free due to the material combination nylon/steel
- Compensating for shaft misalignment axial – radial – angular
- Axial plug-in - easy assembly
- Available with finish bore to ISO fit H7, keyway to DIN 6885 sheet 1 - JS9 as well as taper and inch bores
- Type M...C with carbon fibre reinforced PA, low backlash, higher torques and approved according to EC Standard 94/9/EC
- For finish bores see stock programme on page 83
- For performance data see page 80

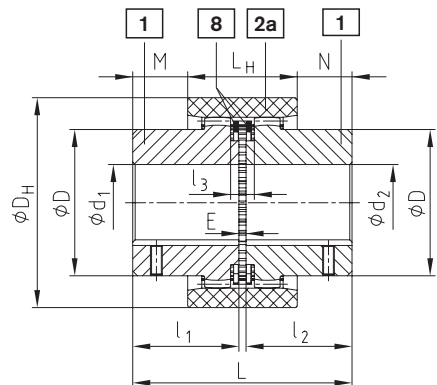
Components



Type M



Type M...C



Type I

BoWex® type M, type I and type M...C

Size	Finish bore d ₁ , d ₂		Dimensions [mm]										Weight with max. bore-Ø			Mass moment of inertia J with max. bore-Ø			
		Pilot bored	max.	l ₁ , l ₂	E	L	L _H	M, N	l ₃	D	D _H	Tip circle ØDZ of hub	Lengthened hub l ₁ , l ₂ max.	Sleeve [kg]	Hub [kg]	Total [kg]	Sleeve [kgcm ²]	Hub [kgcm ²]	Total [kgcm ²]
M-14	M-14C	-	15	23	4	50	37	6,5	10	25	40	33	40	0,03	0,07	0,10	0,08	0,09	0,26
M-19	M-19C	-	20	25	4	54	37	8,5	10	32	47	39	40	0,03	0,10	0,23	0,15	0,16	0,47
M-24	M-24C	-	24	26	4	56	41	7,5	14	36	53	45	50	0,04	0,14	0,32	0,21	0,36	0,93
M-28	M-28C	-	28	40	4	84	46	19	13	44	65	54	55	0,08	0,33	0,74	0,65	1,22	3,09
M-32	M-32C	-	32	40	4	84	48	18	13	50	75	63	55	0,09	0,43	0,95	1,14	2,17	5,48
M-38	M-38C	-	38	40	4	84	48	18	13	58	83	69	60	0,13	0,55	1,23	1,58	3,55	8,68
M-42	-	-	42	42	4	88	50	19	13	65	92	78	60	0,14	0,68	1,50	2,32	5,98	14,28
M-48	M-48C	-	48	50	4	104	50	27	13	68	95	78	60	0,23	0,79	1,81	3,90	7,22	18,34
M-65	M-65C	21	65	55	4	114	68	23	16	96	132	110	70	0,55	1,90	4,35	21,2	31,8	84,8
I-80	-	31	80	90	6	186	93	46,5	20	124	178	145	-	1,13	5,20	11,53	68,9	150,8	370,5
I-100	-	38	100	110	8	228	102	63	22	152	210	176	-	1,78	9,37	20,52	158,6	401,3	961,2
I-125	-	45	125	140	10	290	134	78	30	192	270	225	-	3,88	19,44	42,76	562,9	1362,3	3287,5

Ordering example:

BoWex® M-28	d ₁ Ø20	d ₂ Ø28
Size and type of coupling	Finish bore H7 keyway to DIN 6885 sheet 1 (JS9)	Finish bore H7 keyway to DIN 6885 sheet 1 (JS9)