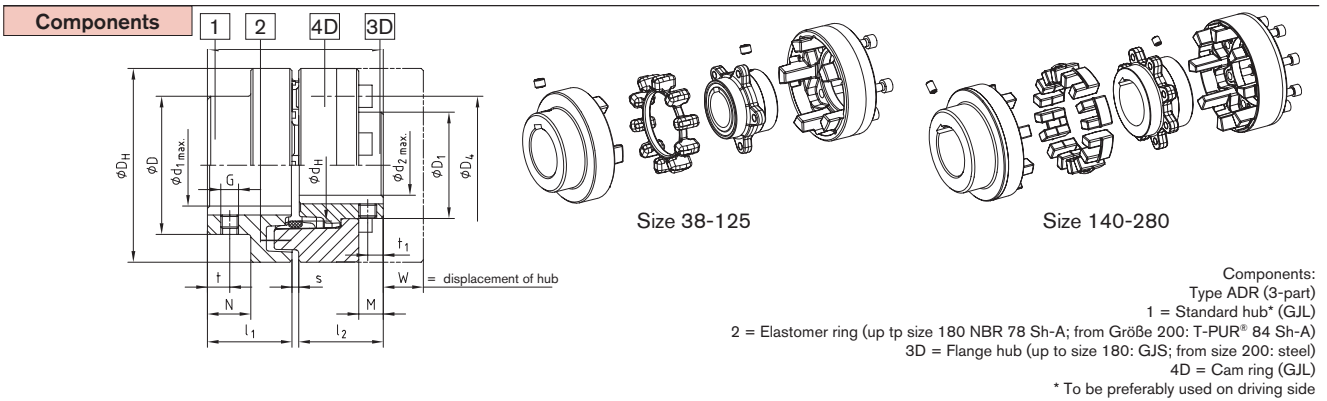


Type ADR (3-part design)



- Torsionally flexible, reduces vibrations
- Elastomer ring can be replaced while being mounted
- Fail-safe
- Maintenance-free
- Short design
- Axial plug-in
- According to DIN 740
- Approved according to EC Standard 94/9/EC
- Detailed mounting instructions and further information available at www.ktr.com



POLY-NORM® Type ADR

| Size | Elastomer ring torque [Nm] ¹⁾ | | Dimensions [mm] | | | | | | | | | | | | | | | |
|---------|--|--------|--------------------------------|--------|---------|--------|----|-----|-----|-----|------|-------|------|----|---------------------|----|----|---------|
| | | | Max. finish bore ²⁾ | | General | | | | | | | | | | Thread for setscrew | | | |
| | | | d1 | d2 | LADR | l1; l2 | s | DH | D | D1 | dH | N | M | W | G | t | t1 | TA [Nm] |
| 38 | 90 | 180 | 40 | 34 | 80 | 38 | 4 | 87 | 62 | 48 | 50 | 19,5 | 11,0 | 12 | M8 | 10 | 7 | 10 |
| 42 | 150 | 300 | 45 | 38 | 88 | 42 | 4 | 96 | 69 | 54 | 55,5 | 20 | 12,0 | 16 | M8 | 10 | 7 | 10 |
| 48 | 220 | 440 | 50 | 44 | 101 | 48 | 5 | 106 | 78 | 62 | 64 | 24 | 13,7 | 16 | M8 | 15 | 7 | 10 |
| 55 | 300 | 600 | 60 | 50 | 115 | 55 | 5 | 118 | 90 | 72 | 73 | 29 | 18,7 | 15 | M8 | 14 | 14 | 10 |
| 60 | 410 | 820 | 65 | 56 | 125 | 60 | 5 | 129 | 97 | 80 | 81 | 33 | 22,2 | 14 | M8 | 15 | 15 | 10 |
| 65 | 550 | 1100 | 70 | 60 | 135 | 65 | 5 | 140 | 105 | 86 | 86 | 36 | 26,7 | 11 | M10 | 20 | 20 | 17 |
| 75 | 850 | 1700 | 80 | 68 | 155 | 75 | 5 | 158 | 123 | 98 | 100 | 42,5 | 27,8 | 16 | M10 | 20 | 20 | 17 |
| 85 | 1350 | 2700 | 90 | 78 | 175 | 85 | 5 | 182 | 139 | 112 | 116 | 48,5 | 33,7 | 18 | M10 | 25 | 25 | 17 |
| 90 | 2000 | 4000 | 95 | 85 | 185 | 90 | 5 | 200 | 148 | 122 | 128 | 49 | 31,5 | 26 | M12 | 25 | 25 | 40 |
| 100 | 2900 | 5800 | 110 | 95 | 206 | 100 | 6 | 224 | 165 | 136 | 143 | 55 | 37,5 | 28 | M12 | 25 | 25 | 40 |
| 110 | 3900 | 7800 | 50-120 | 105 | 226 | 110 | 6 | 250 | 185 | 150 | 158 | 60 | 39,5 | 30 | M16 | 30 | 30 | 80 |
| 125 | 5500 | 11000 | 55-140 | 115 | 256 | 125 | 6 | 280 | 210 | 168 | 178 | 70 | 48,0 | 35 | M16 | 35 | 35 | 80 |
| 140 | 7200 | 14400 | 65-155 | 55-135 | 286 | 140 | 6 | 315 | 235 | 195 | 216 | 76,5 | 47,0 | 59 | M20 | 35 | 35 | 140 |
| 160 | 10000 | 20000 | 75-175 | 65-155 | 326 | 160 | 6 | 350 | 265 | 225 | 246 | 94,5 | 65,0 | 43 | M20 | 45 | 45 | 140 |
| 180 | 13400 | 26800 | 75-200 | 65-175 | 366 | 180 | 6 | 400 | 300 | 255 | 290 | 111,5 | 79,0 | 33 | M20 | 50 | 50 | 140 |
| NEW 200 | 19000 | 38000 | 85-200 | 200 | 408 | 200 | 8 | 450 | 335 | 290 | - | 126 | 95 | 7 | M24 | 50 | 50 | 240 |
| NEW 220 | 30000 | 60000 | 95-220 | 220 | 448 | 220 | 8 | 500 | 370 | 320 | - | 140 | 103 | 8 | M24 | 50 | 50 | 240 |
| NEW 240 | 43000 | 86000 | 105-240 | 240 | 488 | 240 | 8 | 550 | 405 | 350 | - | 154 | 119 | 1 | M24 | 50 | 50 | 240 |
| NEW 260 | 55000 | 110000 | 115-260 | 260 | 530 | 260 | 10 | 650 | 440 | 380 | - | 158 | 109 | 34 | M24 | 60 | 60 | 240 |
| NEW 280 | 67000 | 134000 | 125-280 | 280 | 570 | 280 | 10 | 700 | 475 | 410 | - | 172 | 109 | 29 | M24 | 60 | 60 | 240 |

Classification of cap crews DIN EN ISO 4762-12.9

| Size | M x l [mm] | Number z | Separation z x angle | D4 [mm] | TA [Nm] ³⁾ | Size | M x l [mm] | Number z | Separation z x angle | D4 [mm] | TA [Nm] ³⁾ |
|------|------------|----------|----------------------|---------|-----------------------|------|------------|----------|----------------------|---------|-----------------------|
| 38 | M6x16 | 5 | 5x72 | 62 | 10 | 110 | M16x40 | 8 | 8x45 | 183 | 210 |
| 42 | M8x16 | 5 | 5x72 | 69 | 25 | 125 | M20x40 | 8 | 8x45 | 202 | 410 |
| 48 | M8x20 | 6 | 6x60 | 78 | 25 | 140 | M20x50 | 8 | 8x45 | 237 | 410 |
| 55 | M8x20 | 6 | 6x60 | 88 | 25 | 160 | M20x55 | 9 | 9x40 | 267 | 410 |
| 60 | M8x20 | 6 | 6x60 | 98 | 25 | 180 | M20x60 | 10 | 10x36 | 304 | 410 |
| 65 | M10x20 | 6 | 6x60 | 104 | 49 | 200 | M20x60 | 10 | 10x36 | 342 | 580 |
| 75 | M10x25 | 6 | 6x60 | 120 | 49 | 220 | M24x70 | 10 | 10x36 | 378 | 1000 |
| 85 | M12x25 | 6 | 6x60 | 138 | 86 | 240 | M27x70 | 10 | 10x36 | 416 | 1500 |
| 90 | M16x30 | 6 | 6x60 | 149 | 210 | 260 | M30x90 | 10 | 10x36 | 480 | 2000 |
| 100 | M16x30 | 6 | 6x60 | 163 | 210 | 280 | M30x90 | 10 | 10x36 | 520 | 2000 |

¹⁾ Standard material Perbunan (NBR) 78 Shore A, size 140 - 280 double tooth elastomers, selection see page 54
²⁾ Bore H7 with keyway to DIN 6885 sheet 1(JS9) with thread for set screws
³⁾ Screw tightening torque acc. to 8.8

| | | | | |
|-------------------|---------------|------|---------------------|---------------------|
| Ordering example: | POLY-NORM® 65 | ADR | d ₁ =Ø55 | d ₂ =Ø60 |
| | Coupling size | Type | Finish bore | Finish bore |