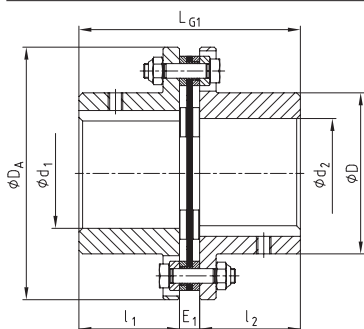


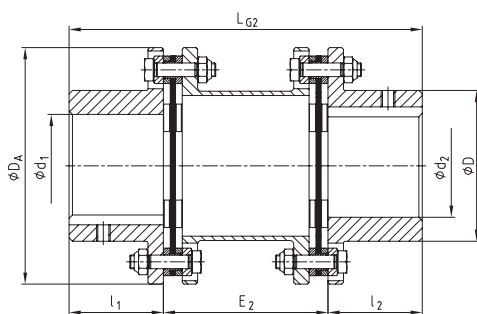
Standard types



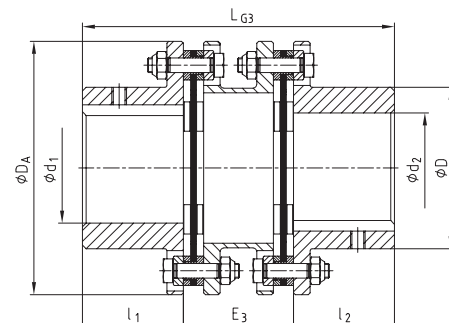
- Standard types available from stock
- Single and double cardanic types
- Optionally available with frictionally engaged shaft-hub-connection
- Finish bore according to ISO fit H7, feather keyway according to DIN 6885 sheet 1 - JS9
- -Approved and certified according to EC Standard 94/9/EC
- From size 136 screwing of laminas by means of clamping nut (see assembly instructions KTR-N 47112)



Type NN



Type NANA 1



Type NANA 2

RADEX®-N Types NN, NANA 1, NANA 2										
Size	Max. finish bore		Dimensions [mm]							
	d ₁ /d ₂	D	D _A	l ₁ /l ₂	L _{G1}	E ₁	L _{G2}	E ₂	L _{G3}	E ₃
20	20	32	56	20	45	5	100	60	-	-
25	25	40	68	25	56	6	110	60	-	-
35	35	54	82	40	86	6	150	70	-	-
38	38	58	94	45	98	8	170	80	-	-
42	42	68	104	45	100	10	170	80	-	-
50	50	78	126	55	121	11	206	96	-	-
60	60	88	138	55	121	11	206	96	170	60
70	70	102	156	65	141	11	246	116	200	70
80	80	117	179	75	164	14	286	136	233	83
85	85	123	191	80	175	15	300	140	246	86
90	90	132	210	80	175	15	300	140	251	91
105	105	147	225	90	200	20	340	160	281	101
115	115	163	265	100	223	23	370	170	309	109
135	135	184	305	135	297	27	520	250	-	-
136	135	180	300	135	293	23				
156	150	195	325	150	327	27				
166	165	225	350	165	361	31				
186	180	250	380	185	401	31				
206	200	275	420	200	437	37				
246	240	320	500	240	524	44				
286	280	383	567	280	612	52				
336	330	445	660	330	718	58				
138	135	180	300	135	293	23				
158	150	195	325	150	327	27				
168	165	225	350	165	361	31				
188	180	250	380	185	401	31				
208	200	275	420	200	437	37				
248	240	320	500	240	524	44				
288	280	383	567	280	612	52				
338	330	445	660	330	718	58				

Ordering example	RADEX®-N 60	NANA 1	Ø50	Ø60
	Coupling size	Type	Finish bore d ₁	Finish bore d ₂